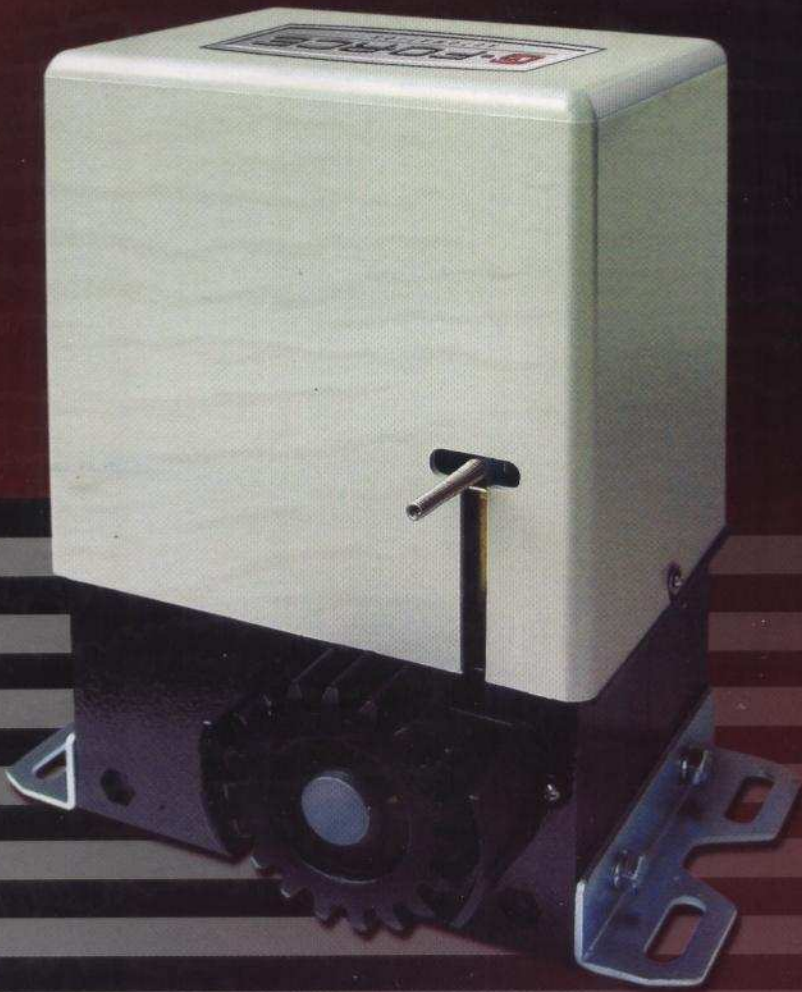




# AUTOMATIC SYSTEM FOR RESIDENTIAL SLIDING GATES

**Model: GF400 GF1000 GF2000**  
24 Volts DC Sliding Motor







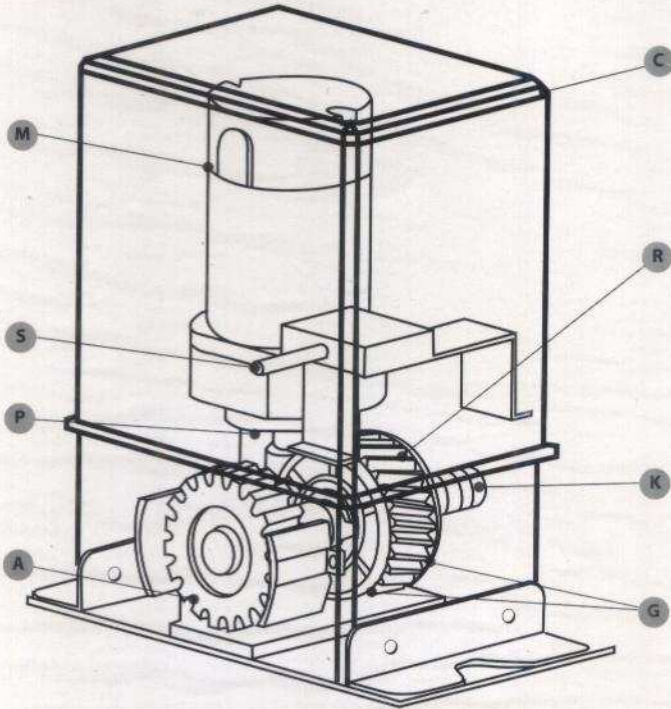
**MODEL: GF400 GF1000 GF2000**

**CONFIGURATION**

24v DC Carbon brush motor complete with Worm Gear Speed Reducer with manual override release Patented Mechanical Clutch.

**Legend**

- M : 24v DC Motor
- P : Solid Shaft Worm - Wheel screw
- R : Reduction Unit - Helical Gear
- G : Clutch between Helical Gear and Drive Shaft
- K : Pinion Key Emergency Release
- S : Contact Limit Switches
- C : Removable Water Proof Casing
- A : Back Pinion Gear 4mm



**Technical Details**

Configuration : DC 24 Volts motor couple with worm gear speed reducer with override release clutch (Patented) controlled by electronic circuitry.

| Model   | Supply Volts<br>230V<br>Output 24V | Motor<br>24V DC<br>RPM | Gross<br>Weight | Velocity | Current | Librication    | Safety<br>Cut Off<br>Auto Reverse    | Remote<br>Controller           |
|---------|------------------------------------|------------------------|-----------------|----------|---------|----------------|--------------------------------------|--------------------------------|
| GF 400  | 24V with<br>due speed              | 2800 - 3200            | 400kg           | 14/min   | 5A Max  | Grease<br>Type | Electronic<br>Load Surge<br>Detector | 2 Channels<br>330MH2<br>433MH2 |
| GF 1000 | 24V with<br>due speed              | 3600                   | 1000kg          | 15/min   | 5A Max  | Grease<br>Type | Electronic<br>Load Surge<br>Detector | 2 Channels<br>330MH2<br>433MH2 |
| GF 2000 | 24V with<br>due speed              | 2900                   | 2000kg          | 15.5/min | 5A Max  | Grease<br>Type | Electronic<br>Load Surge<br>Detector | 2 Channels<br>330MH2<br>433MH2 |

|                               |                       |                             |                                   |  |
|-------------------------------|-----------------------|-----------------------------|-----------------------------------|--|
| Automatic<br>Lighting Control | Safety<br>Limit Timer | Battery<br>Back up Included | Auto Close<br>On Adjustable Timer | Simple Underbase For<br>Proximity Card & Loop Detector |
| YES                           | YES                   | YES                         | YES                               | YES  |

**Standard Kit Contents**

- 1 pc DC 24v motor
- 4 pcs Row Plug
- 4 meter Gear Rack
- 2 pcs Limit Switch Brackets
- 2 pcs Emergency Release Allen Key
- 2 pcs Remote Control Hand Sets
- 1 pc Receiver
- 1 pc Electronic Control Panel c/w Battery Back-up

**Optional Items**

- Photocell
- Loop Coil Detector
- Warning Light

Dealer: